

ST1 PLURAL COMPONENT, AIR PURGE SPRAY GUN QUICK START GUIDE



READ THE MANUAL Before operating finishing equipment, read and understand all safety, operation and maintenance information provided in the operation manual.



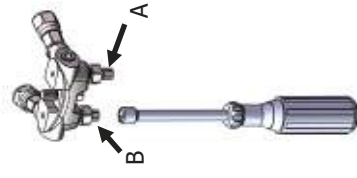
OPERATOR TRAINING All personnel must be trained before operating this equipment.



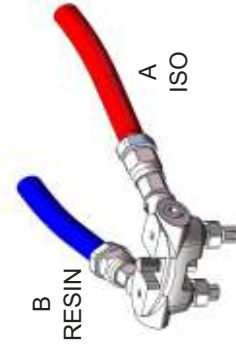
PRESSURE RELIEF PROCEDURE Always follow the pressure relief procedure in the

GETTING STARTED / SET-

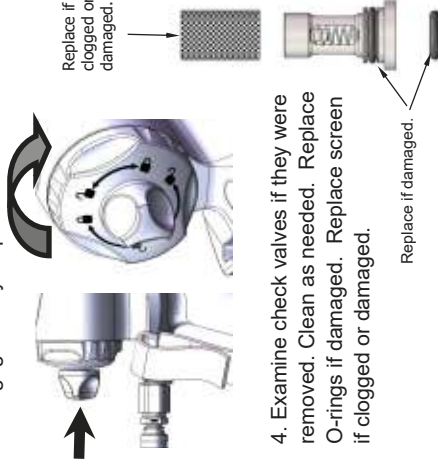
1. Close A-side and B-side shut-off valves.



2. Connect A (ISO) and B (Resin) hoses to manifold.



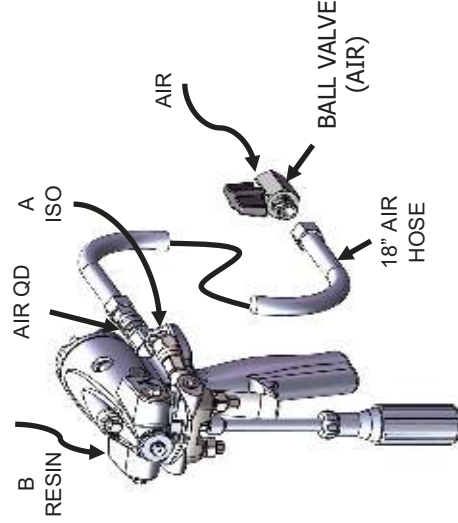
3. Engage safety stop/lock



4. Examine check valves if they were removed. Clean as needed. Replace O-rings if damaged. Replace screen if clogged or damaged.

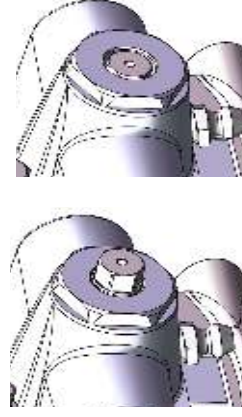
Replace if damaged.

5. Connect manifold (with A and B hoses) to gun. Connect ball valve to 18" air hose and connect main air to ball valve. Use QD Coupler to connect air to gun.



6. Turn on air and open ball valve (air). Air should now flow through the mix tip with gun not triggered.

7. Keep shut-off valves closed. Disengage safety stop/lock and trigger gun. Piston will actuate. Note travel of Mix Tip. The Mix Tip will come approximately flush with the front of the gun when the gun is triggered. Air flow

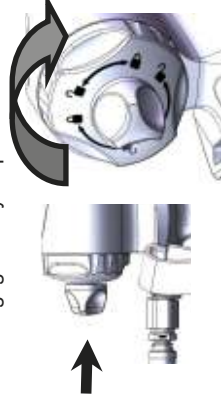


Not triggered

Triggered—mix tip comes flush with front.

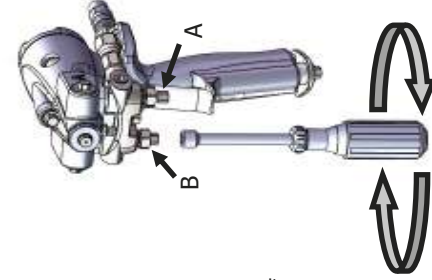
8. Apply layer of lubricant over front of gun to prevent overspray build-up and to aid disassembly.

9. Engage safety stop/lock.



10. Turn on the proportioner. Follow all manufacturer's instructions for starting

11. Fully open B (RESIN) shut-off valve. Then open A (ISO) shut-off valve.

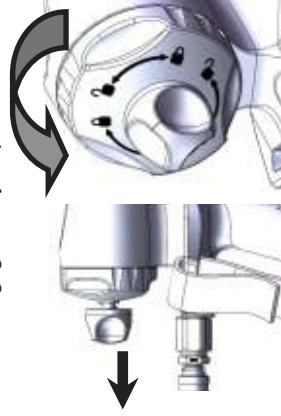


GROUNDING

Check local electrical code and proportioner manual for grounding instructions.

Ground spray gun through grounded fluid supply Carlisle approved grounded fluid supply hose.

12. Dis-engage safety stop/lock.

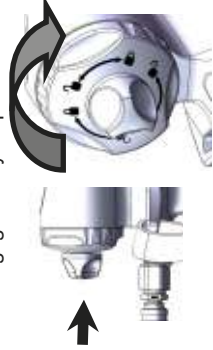


PRESSURE RELIEF AND SHUT DOWN

WARNING

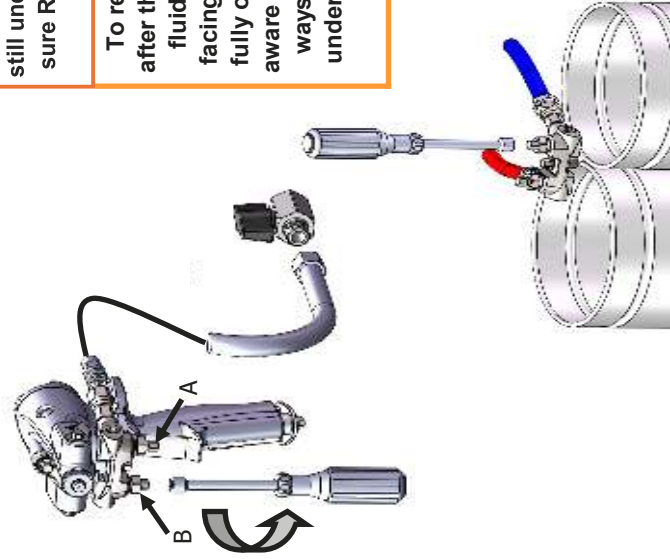
Relieve pressure before cleaning or repairing gun.

1. Engage safety stop/lock.


CAUTION

Air supply is required for gun actuation. Do not disconnect gun air supply until fluid pressure is relieved.

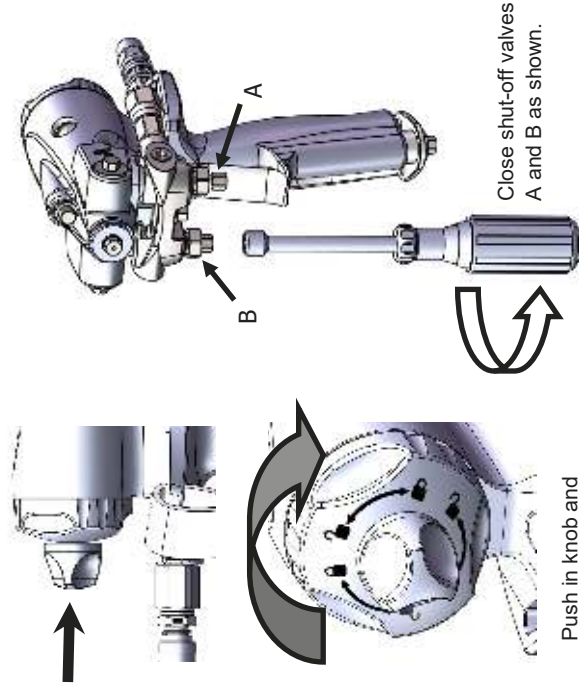
2. Close shut-off valves A and B. Leave air valve open.



LOSS OF AIR PRESSURE

WARNING

In event of loss of air pressure, gun will continue to spray. To shut off gun, engage the safety stop/lock and/or close both shut-off valves.



Push in knob and turn to the right to lock and stop fluid.

Close shut-off valves A and B as shown.

AIR PRESSURE KEEPS GUN IN TRIGGERED POSITION

WARNING

A DAMAGED O-RING IN THE AIR VALVE CAN CAUSE THE GUN TO KEEP SPRAYING. SHUT OFF THE AIR IMMEDIATELY!

Then engage safety stop. Push knob in and turn clockwise. Shut off manual valves.

ST1 PLURAL COMPONENT, AIR PURGE SPRAY GUN—COMPONENTS

EXTENSION TIPS (INCLUDES DRILL BIT)

PART #.	SIZE	ADDED LENGTH
336458	01 XS (.060)	1/2 IN
336459	01 XL (.060)	1 IN
336460	15 XS (.064)	1/2 IN
336461	15 XL (.064)	1 IN
336462	02 XS (.070)	1/2 IN
336463	02 XL (.070)	1 IN

STANDARD MIX CHAMBER & MIX TIP COMBOS (INCLUDES DRILL BITS)

PART #	MIX CHAMBER	MIX TIP	EQUIVALENT
336441	B	01	4242
336442	C	15	4747
336443	D	02	5252
336444	E	03	6060
336445	F	04	7070

INDIVIDUAL MIX CHAMBERS (INCLUDES IMPINGMENT DRILL BIT)

PART #	SIZE	STD. IMP SIZE EQUIVALENT
336447	B	01 (.042)
336448	C	15 (.047)
336449	D	02 (.052)
336450	E	03 (.060)
336451	F	04 (.070)

INDIVIDUAL MIX TIPS (INCLUDES DRILL BIT)

PART #.	SIZE
336452	00 (.052)
336453	01 (.060)
336454	15 (.064)
336455	02 (.070)
336456	03 (.086)
336457	04 (.093)

SIDE SEAL CARTRIDGE ASSEMBLY
336375 (ITEM 5) 336376 (ITEM 6)

ITEM #	PART #.	DESCRIPTION	QTY
50	NA	SIDE SEAL CARTRIDGE HOUSING	1
10	336415	O-RING, HOUSING (10-PACK)	2
52	336378	SPRING, SIDE SEAL	1
53	336414	O-RING, SIDE SEAL (10-PACK)	1
54	336379	SIDE SEAL, POLY (2-PACK W/ O-RINGS)	1
	336410	SIDE SEAL, POLY (50-PACK W/ O-RINGS)	

FLUID CHECK VALVE ASSEMBLY
336360 (ITEM 8) 336361 (ITEM 9)

ITEM #	PART #.	DESCRIPTION	QTY
55	336422	SCREEN, 40 MESH (10-PACK)	1
	336423	SCREEN, 60-MESH (10-PACK)	
56	NA	SPRING RETAINER	1
57	336362	SPRING, CHECK VALVE	1
58	336427	BALL, CHECK VALVE (10-PACK)	1
10	336415	O-RING, HOUSING (10-PACK)	1
60	NA	HOUSING (A / B SIDE)	1
61	336418	O-RING, CHECK VALVE FACE (10-PACK)	1

PARTS LIST

ITEM #	PART #	DESCRIPTION	QTY.
1	336352	HANDLE	1
2	336359	SHAFT GUIDE	1
3	336417	O-RING, HEAD AND HANDLE JUNCTION (2-PACK)	1
4	336353	HEAD	1
5	336375	SIDE SEAL CARTRIDGE ASSEMBLY, A-SIDE	1
6	336376	SIDE SEAL CARTRIDGE ASSEMBLY, B-SIDE	1
7	336356	MANIFOLD SCREW	2
8	336360	CHECK VALVE, A-SIDE	1
9	336361	CHECK VALVE, B-SIDE	1
10	336415	O-RING, GUIDE AND HOUSING (10-PACK)	1
11	336437	GUIDE (INCLUDES ITEM 10)	1
12	336446	MIX CHAMBER	1
13	336452	MIX TIP	1
14	336355	FLUID MANIFOLD	1
15	336372	MANUAL VALVE	2
16	336357	SWIVEL ADAPTER, A-SIDE	1
17	336358	SWIVEL ADAPTER, B-SIDE	1
18	336335	PIPE PLUG, 1/8 NPT 303 SS	2
19	336364	TRIGGER STUD	1
20	336365	TRIGGER SCREW	1
21	336363	TRIGGER	1
22	336370	ROD & PISTON ASSEMBLY	1
23	336413	O-RING, AIR PISTON (2-PACK)	1
24	336373	END CAP	1
25	336375	SPRING	1
26	336413	O-RING, SAFETY STOP (2-PACK)	1
27	336377	SAFETY STOP KNOB	1
28	336376	LOCK ARM	1
29	336420	O-RING, END CAP (2-PACK)	1
30	336394	CHECK VALVE ASS'Y, AIR	1
31	336401	STUD	1
32	336399	CLIP	1
33	336400	SPACER	1
34	336374	MUFFLER	1
35	336412	O-RING, AIR VALVE AND PISTON ROD (10-PACK)	4
36	336366	VALVE STEM	1
37	336367	SPRING	1
38	336395	QD BASE	1
39	336396	QD STEM	1
40	336398	STRAP	1
41	336643	HOSE	1
42	336408	BALL VALVE	1
43	336397	QD COUPLER	1
44	336436	FLUSH MANIFOLD ASSEMBLY	1
45	336378	GREASE FITTING	1

NOTE: SS Side Seals also available (PN 336381)