

# ST1™

## Gun Cleaning Kit

### Instructions



### Table of contents

Section	Page
Safety	2
Cleaning Kit Contents	3
Cleaning Recommendations	5

---

## SAFETY PRECAUTIONS

REFER TO ST1 SPRAY GUN USER MANUAL (PN 336742) FOR INSTRUCTIONS ON REMOVING SPRAY GUN FOR SERVICING, REGULAR MAINTENANCE AND/OR CLEANING.

### WARNING

**Before servicing gun engage Safety Stop, close manifold valves, relieve fluid pressure, remove air line QD, and remove gun from manifold.**

#### WHEN CLEANING ST1 SPRAY GUN:

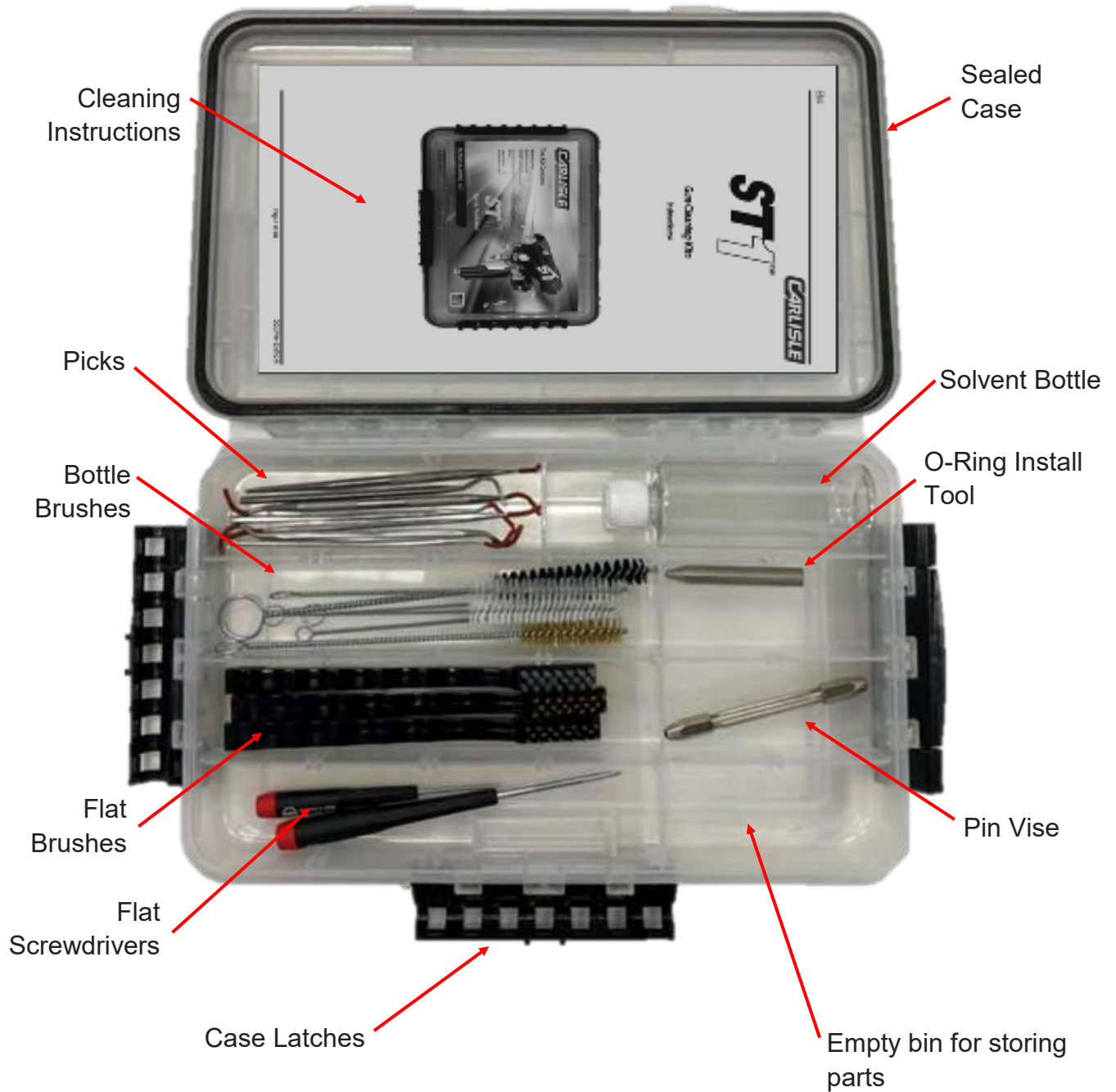
- Always wear appropriate personal protective equipment and cover exposed skin when servicing the ST1 Spray Gun. Protective equipment helps prevent serious injury, including long-term exposure; inhalation of toxic fumes from cleaning solvents, mists or vapors; allergic reaction; burns; eye injury and hearing loss. This protective equipment includes but is not limited to:
  - ◇ A properly fitting respirator, which may include a supplied-air respirator, chemically impermeable gloves, protective clothing and foot coverings as recommended by the fluid manufacturer and local regulatory authority.
  - ◇ Protective eyewear and hearing protection.

#### TOXIC FLUID OR FUMES HAZARD

- Toxic fluids or fumes from cleaning solvents or Spray Foam chemicals can cause serious injury if splashed in the eyes or on skin, inhaled or swallowed.
- Isocyanate (ISO) are catalysts used in two component materials and are resident in the ST1 gun after removal for service. Avoid all skin contact with isocyanates.
- Read all Safety Data Sheet (SDS) for handling instructions and to know the specific hazards of the fluids you are using, including the effects of long-term exposure.
- When spraying, servicing equipment, or when in the work area, always keep work area well ventilated and always wear appropriate personal protective equipment.
- Store hazardous fluid in approved containers, and dispose of it according to applicable guidelines

# CLEANING KIT CONTENTS

The ST1 Cleaning Kit contains brushes, picks, and tools that are helpful for cleaning and/or rebuilding the ST1 Spray Gun. Refer to the ST1 Spray Gun Manual for additional information on ST1 regular maintenance, parts, and tools.



## CLEANING KIT CONTENTS (see following page for port locations)



1/2" Nylon tapered bottle brush for cleaning side seal ports (location 1).



Dental pick. Helpful for removing O rings from internal components.



1/2" Nylon bottle brush for cleaning trigger valve port (location 4).



Screwdriver Slotted (2mm & 3.5mm). Used to remove check valve assemblies from spray gun head, remove balls and springs from check valves and side seals.



1/8" Nylon bottle brush for cleaning trigger valve stem hole (location 4A).



Pin vise for holding cleanout drills (drills purchased separately).



1/2" & 1/8" Brass bottle brushes for cleaning exhaust ports 5 and 5A, respectively.



5/8" Nylon tapered bottle brush for cleaning check valve port (location 2).



336740 O-Ring Install Tool - Used to assist installation of O-Rings (item 35) onto the Valve Stem (item 36).



Flat brush set: Nylon, Brass, Steel - Used for cleaning external surfaces and small parts.



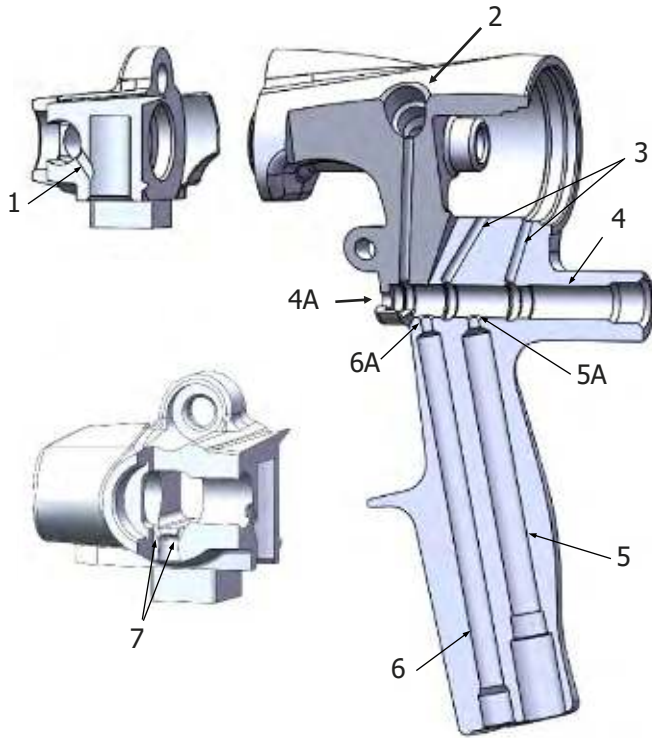
Clear 4 oz bottle 4oz. Used to hold solvent (not included). Helpful for small parts cleaning (soak in solvent, shake, remove).



Pick set. Used to remove cured foam from threads and other confined areas.

## CLEANING RECOMMENDATIONS

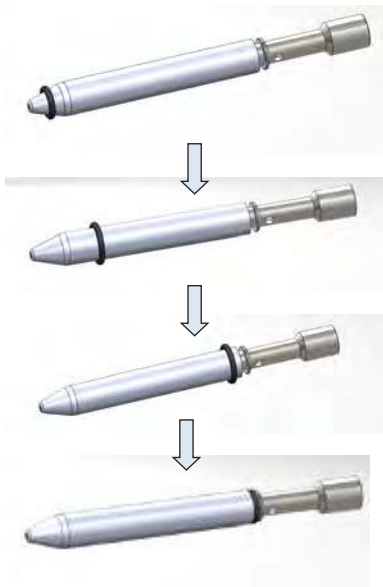
**Internal port locations.** Note some ports require drills for cleanout (see ST1 Spray Gun Manual for cleanout drill sizes).



Port Locations

### 336740 O-RING INSTALLATION TOOL

Use this tool to avoid damaging O rings installed on Valve Stem and Rod & Piston Assembly. Apply grease to O rings and air valve port when installing and assembling. .



Use Dynasolve CU-6, N Methyl Pyrrolidone (NMP), Dzolv, or equivalent to soften cured material.

### CAUTION

These solvents are not to be used for flushing.

#### Cleaning Recommendations:

- Use Dynasolve CU-6, N Methyl Pyrrolidone (NMP), Dzolv, or equivalent to soften cured foam material. **NOTE: The cleaning solvent is not recommended for flushing.**
- Clean the chamber and mix tip using correct drill bit. Soak in Dynasolve CU-6 or equivalent to soften cured material. **NOTE: the drill bit may be dipped in solvent to aid in cleaning.**
- Clean the muffler — soak in compatible solvent.
- Always lightly grease O-rings and ports with ST1 gun grease when reassembling.
- Apply a release agent or light coat of grease to the outside of the gun prior to spraying to make cleaning easier.
- To keep the ST1 gun clean, always use an ST1 gun cover (PN 33)
- Clean fluid manifold — Keep sealing faces clean when manifold is removed from gun. Use a compatible solvent. Do not scratch or damage the sealing faces. Apply a film of ST1 gun grease to the manifold port openings.